



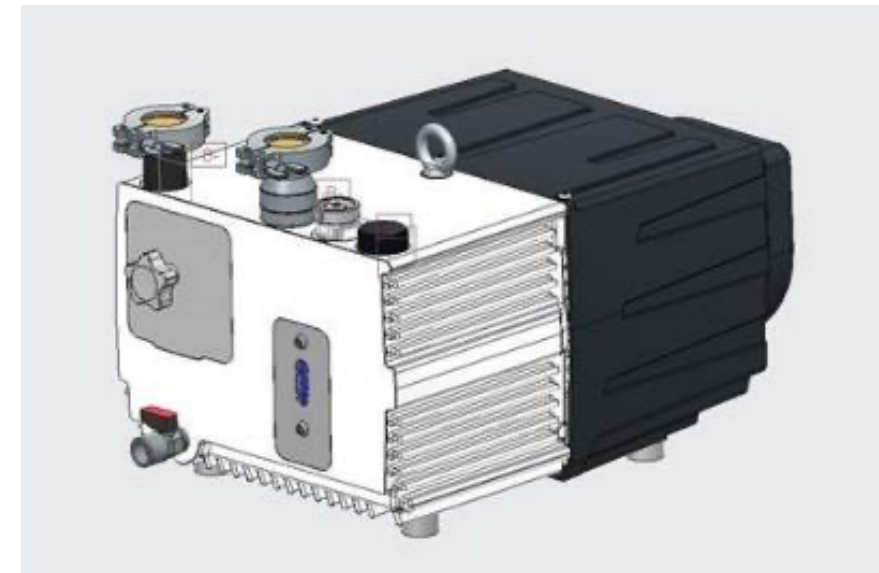
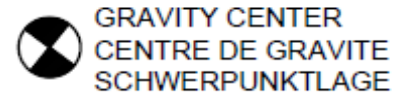
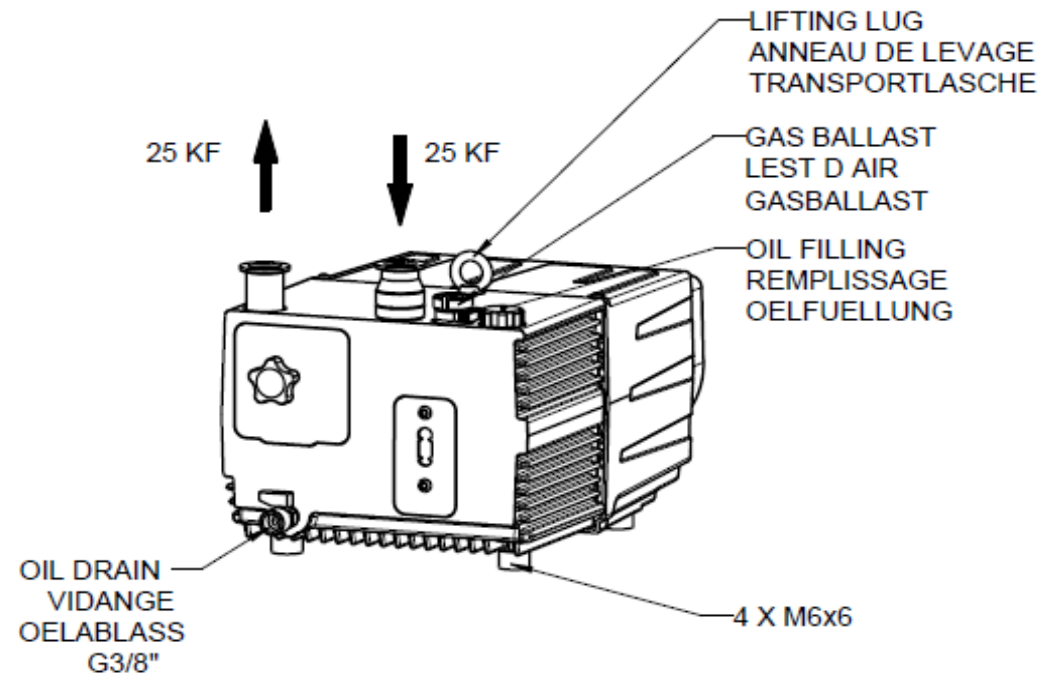
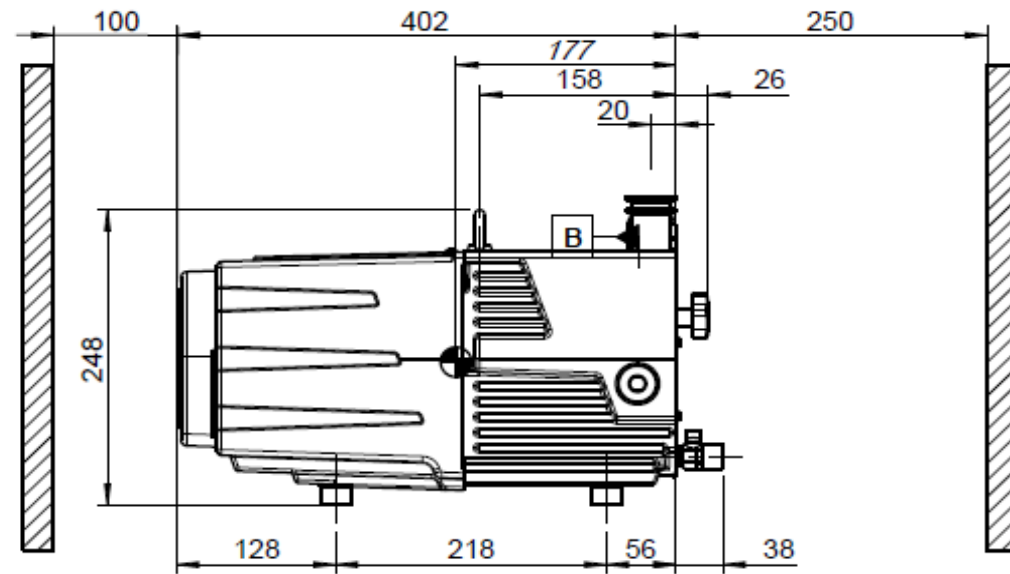
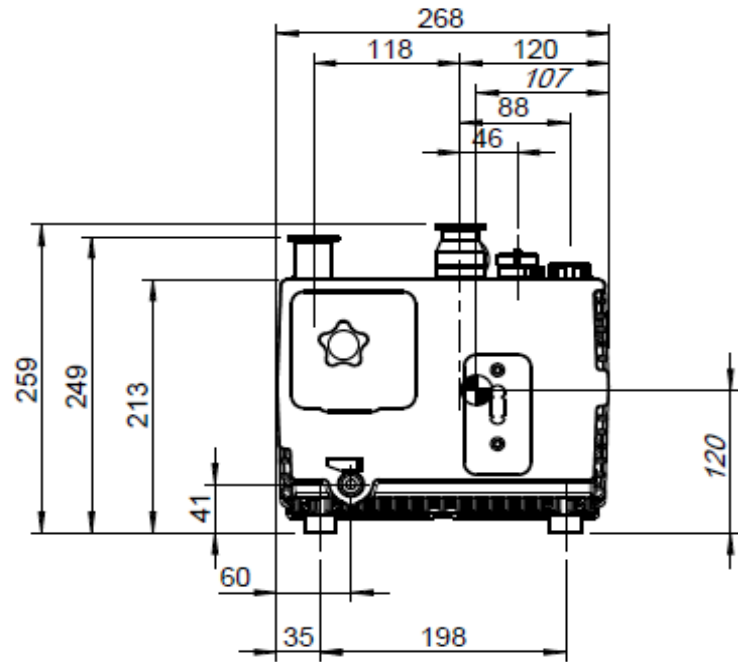
**SV16 D(I)
A new variant of the SV16 D -
SV25 D family**

The perfect pump for demanding applications !

SV16 DI Dimensions

Platz fuer Belueftung
Espace pour la ventilation
Space for ventilation

Platz fuer Montage des Auspuffilters
Espace pour le montage filtre d echappement
Space for mounting exhaust filter



Pump data

Technical Data		SOGEVAC SV 16 D		SOGEVAC SV 16 DI		SOGEVAC SV 25 D	
		50 Hz	60 Hz	50 Hz	60 Hz	50 Hz	60 Hz
Nominal speed ¹⁾	m ³ /h (cfm)	16.0 (9.4)	18.7 (11.0)	16.0 (9.4)	18.7 (11.0)	25.0 (14.7)	29.0 (17.0)
Pumping speed ¹⁾	m ³ /h (cfm)	14.5 (8.5)	17.0 (10.0)	14.5 (8.5)	17.0 (10.0)	22.5 (13.3)	25.5 (15.0)
Ultimate total pressure without gas ballast ¹⁾	mbar (Torr)	≤ 0.5 (≤ 0.4)		≤ 0.1 (≤ 0.08)		≤ 0.5 (≤ 0.4)	
Ultimate total pressure with gas ballast ¹⁾	mbar (Torr)	≤ 1.5 (≤ 1.1)		≤ 1.0 (≤ 0.8)		≤ 1.5 (≤ 1.1)	
Water vapor tolerance ¹⁾	mbar (Torr)			15.0 (11.3)			
Water vapor capacity	kg/h (qt/hr)	0.05 (0.05)	0.15 (0.16)	0.05 (0.05)	0.15 (0.16)	0.05 (0.05)	0.15 (0.16)
Oil capacity	l (qt)			2.0 (2.1)			
Noise level ²⁾	dB(A)			≤ 59			
Admissible ambient temperatur 1~ (oil: 32 cSt, approx.)	°C (°F)			+18 to +40 (+64 to 104)			
3~	°C (°F)			+12 to +40 (+54 to 104)			
Motor power (1~ and 3~), approx.	kW (hp)	0.75 (1.01)	0.90 (1.21)	0.75 (1.01)	0.90 (1.21)	0.75 (1.01)	0.90 (1.21)
Nominal speed	min ⁻¹ (rpm)	1440 (1440)	1750 (1750)	1440 (1440)	1750 (1750)	1440 (1440)	1750 (1750)
Weight (with oil filling)	kg (lbs)			25 (55.1)			
Connections, Intake and Exhaust ³⁾		1/2" NPT/G		25 ISO-KF		1/2" NPT/G	