



Axis Pulse

User Manual

Introduction



From all of us here at PurePressure, thank you for purchasing the PurePressure Axis Pulse!

If these steps are followed, you can be sure to enjoy uninterrupted operation day in and day out. The instructions in this user manual specifically focuses on the Axis Pulse, but please contact us with any other needs and we'd be happy to help!

Sales Inquiries:

sales@gopurepressure.com

General Questions:

info@gopurepressure.com

Technical Support:

support@gopurepressure.com



purepressure.com

Technical Specifications



Specification	Axis Pulse
Mounting & control kit included	Min: 27 PSI Max: 87 PSI
Pneumatic adjustable operation	1920 VPM @ 27 PSI 2580 VPM @ 87 PSI
Speed	VPM (Vibrations Per Minute) @ X number of PSI
Operational PSI	80 (5.5 bar)
Force	158.63 LBS

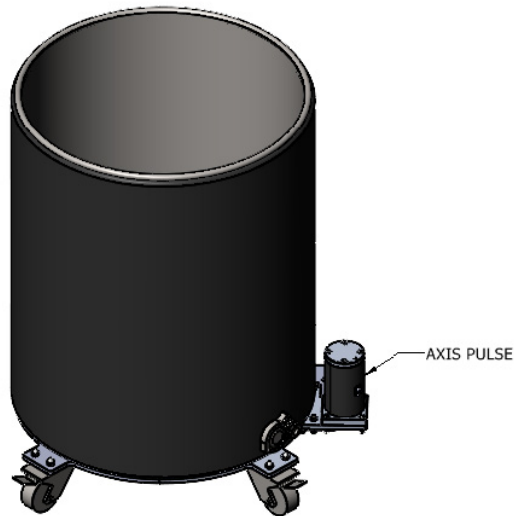
01



AXIS PULSE ADAPTER PLATE

Mount Axis Pulse adapter plate to existing 44 gallon dolly using (4) 5/16-18 x 1 1/4" SS socket head screw and (4) 5/16-18 SS self-locking nuts. Use Loctite 270 to prevent loosening. Tighten to a torque value of 11 lb-ft.

02

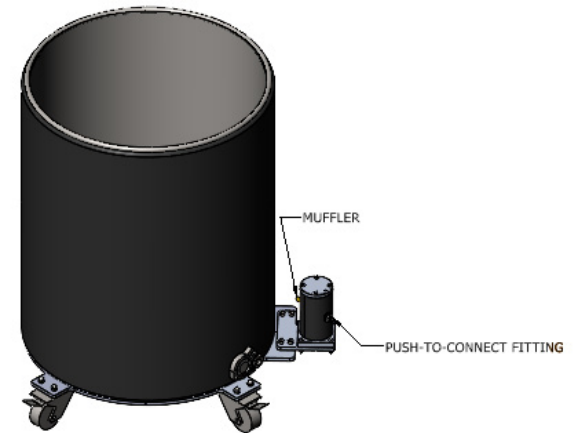


AXIS PULSE

Mount Axis Pulse to Axis Pulse adapter plate using (4) 1/4-20 x 1 1/2" SS button head screw and (4) 1/4-20 SS self-locking nuts. Use Loctite 270 to prevent loosening. Tighten to a torque value of 6.4 lb-ft.

Connect 3/8" NPT push-to-connect fitting to Axis Pulse.

03

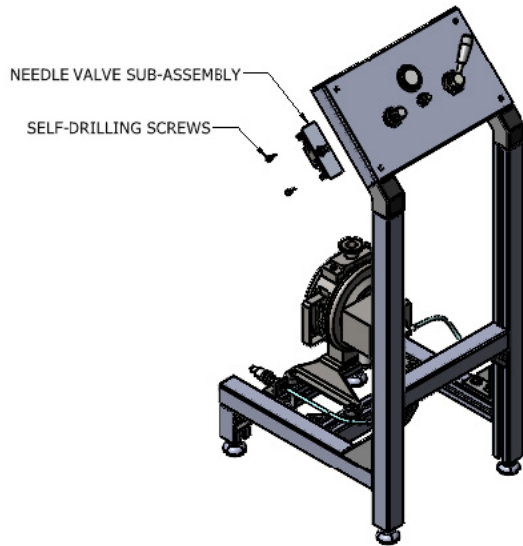


MUFFLER

PUSH-TO-CONNECT FITTING

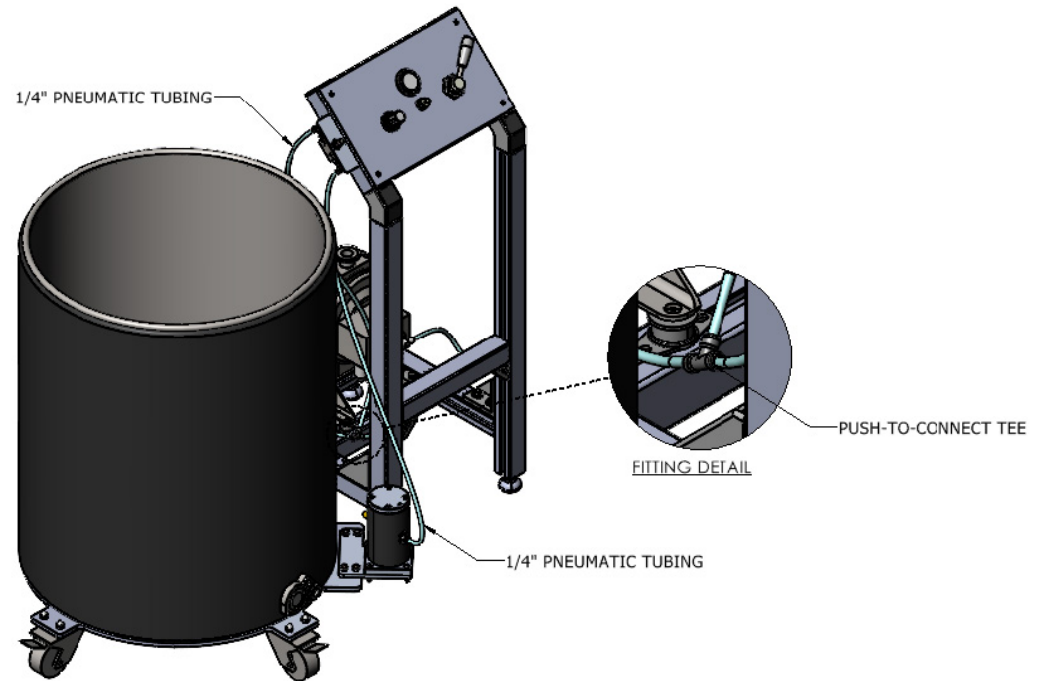
Connect 1/4" NPT exhaust muffler to Axis Pulse.

04



Connect Needle Valve and Bracket to Hash Pump Stand using 5/16" SS self-drilling screws provided. Approximate mounting location to be centered on the stand.

05



Insert push-to-connect tee by splicing pre-installed pneumatic tubing on pump stand.

Run 1/4" pneumatic tubing off push-to-connect tee to port 1 of needle valve.

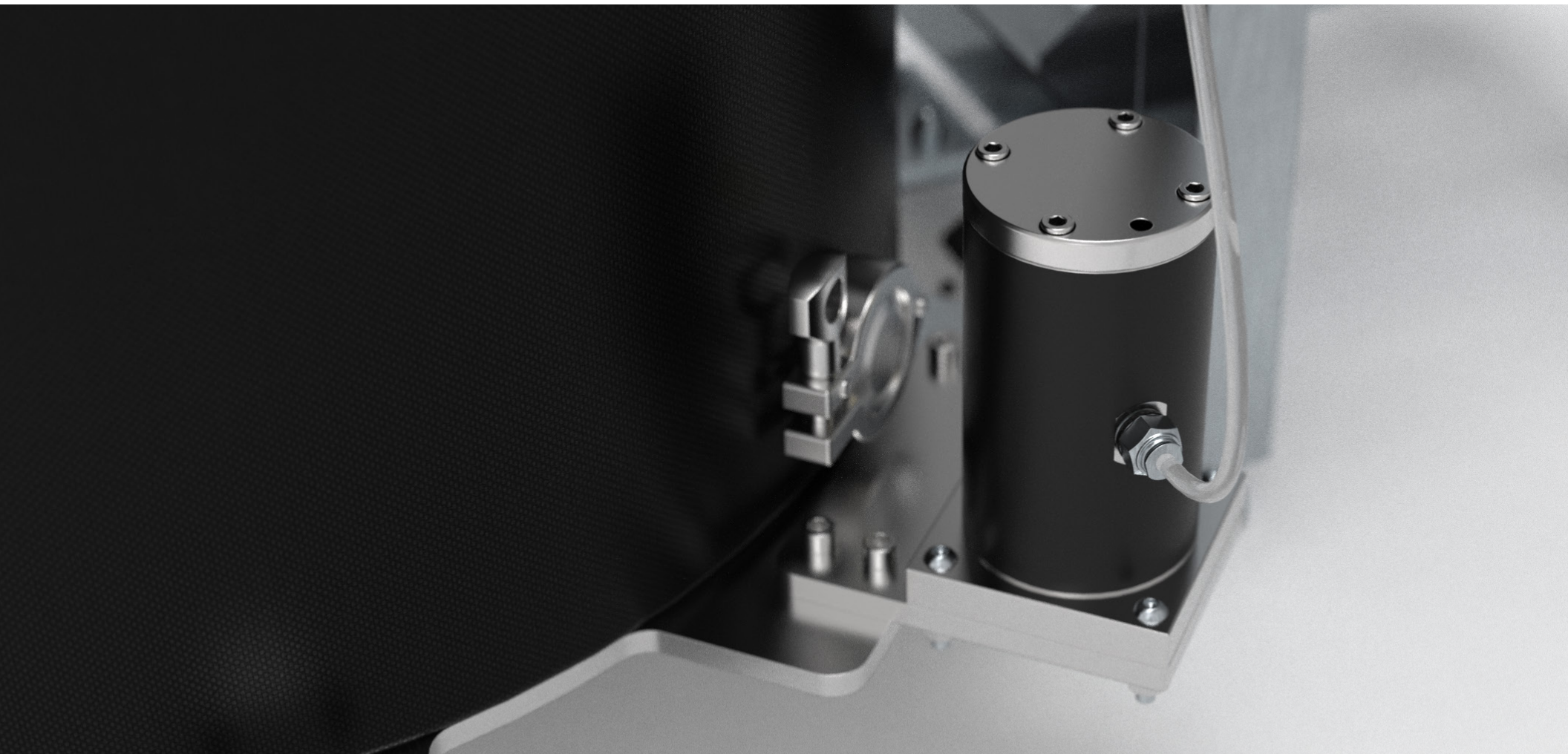
Run 1/4" pneumatic tubing from port 2 of needle valve to push-to-connect fitting on Axis Pulse.

Axis pulse vibrations can be controlled manually by the needle valve. Adjust accordingly by turning the knob to the desired VPM to reduce blinding during the filtration process. Adjustment can be locked.



Contact Us

   | [gopurepressure](https://www.gopurepressure.com)
[purepressure.com](https://www.purepressure.com)



Reliability, Guaranteed

PurePressure is committed to making operators as efficient as possible. The team is legendary for exceptional customer service and solventless extraction trainings. The Axis Pulse includes a 1-year manufacturer warranty.